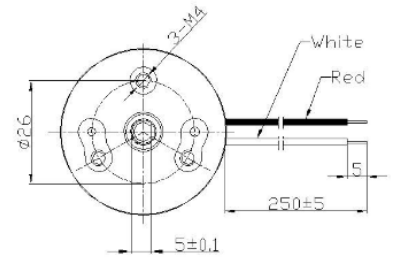
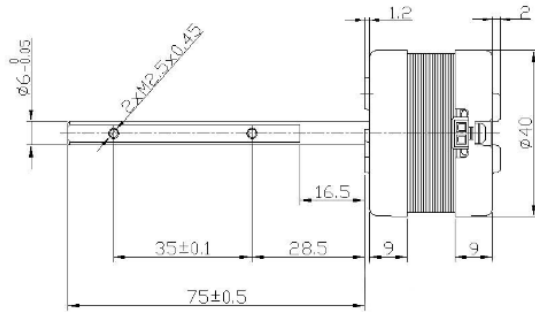




Mechanical & Electrical Co. Ltd RBRS40 Series BISTABLE ROTATING SOLENOID



Characteristic :

1. Bistable

Rotate to either side, left / right by changing direction of electrification. Without electrification, the holding power of the permanent magnet holds the position.

2. High output and high response speed

Reciprocation is done by changing the direction of electrification without using spring, which enable the products perform high output and high response speed.

3. Operating angle can be set at wide range

Any operating angle within 30 degree to 100 degree can be set.

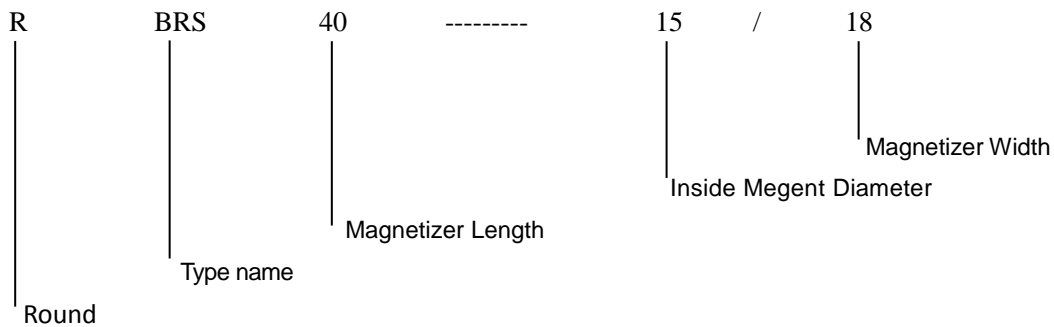
4. No movement of axial direction and low operating noise

There is no movement along the axial and also stopper is located outside, which lower the noise. For the products which as built-in stopper, the stopper material is examined to lower noise and librations.

5. Long life

No mechanical moving part is used except a ball bearing, which enable the products to have long life.

MODEL INSTRUCTION



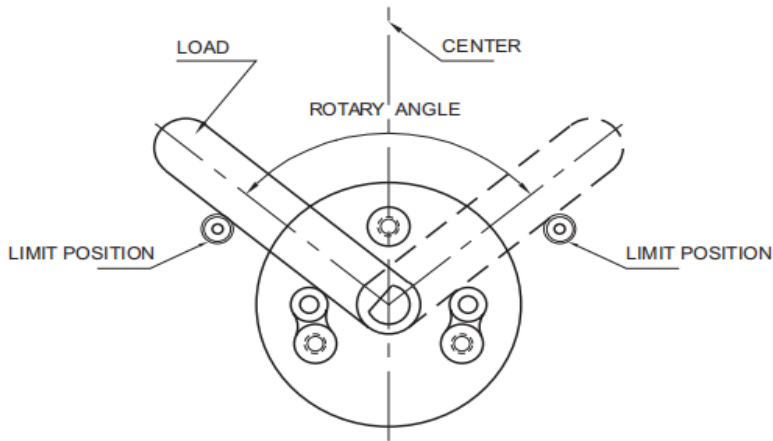
SPECIFICATION

Model	Magnetizer Width (mm)	Megent Diameter (mm)	Megent Length (mm)	DC register (ohms)	Working Voltage (V)	WEIGHT (g)
RBRS40—15/18	18	15	18	6, 10	8-24	175
RBRS40—15/15	15	15	15	8, 12	8-24	165
RBRS40—15/13	13	15	13	10, 15	8-24	155

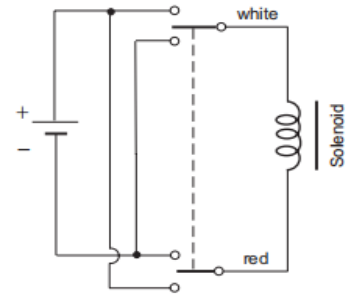
Note: Other DC register value available - Please consult factory.



Mechanical & Electrical Co. Ltd RBR40 Series BISTABLE ROTATING SOLENOID

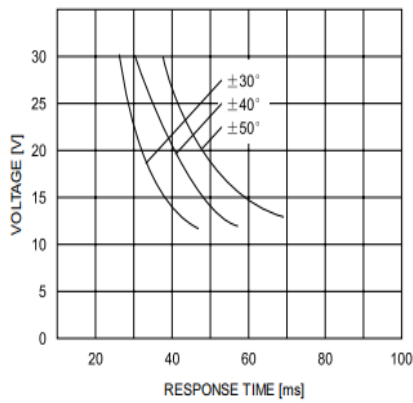


Installation diagram of limit device

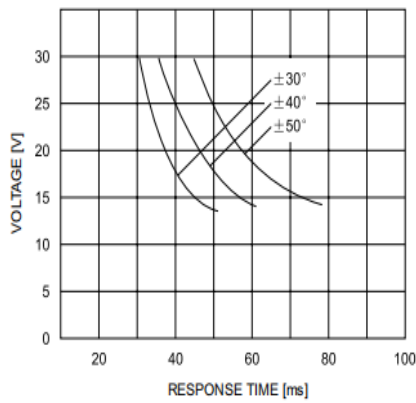


Driver Application

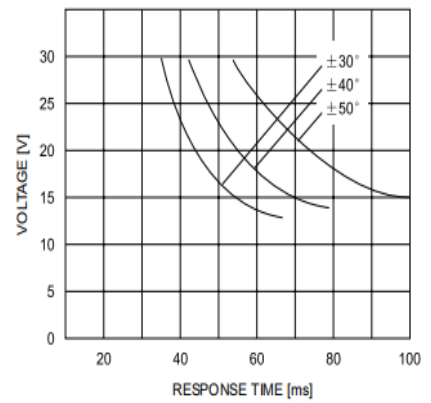
Typical Data



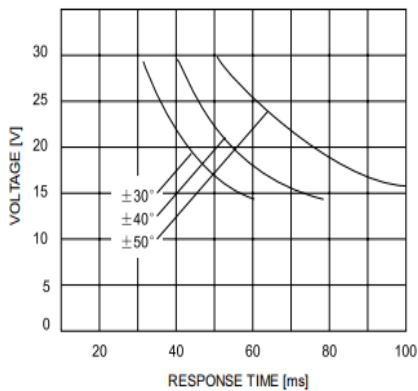
RBR40-15/18(6 Ω)



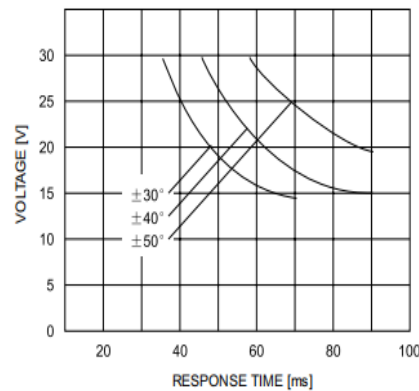
RBR40-15/15 (8 Ω)



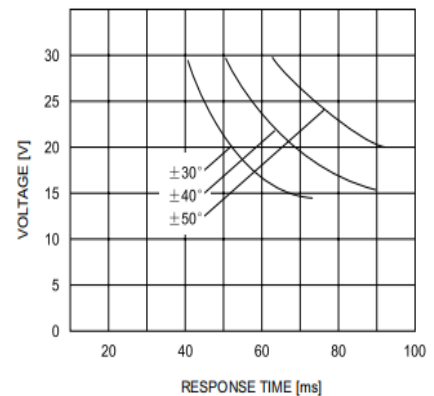
RBR40-15/13(10 Ω)



RBR40-15/18(10 Ω)



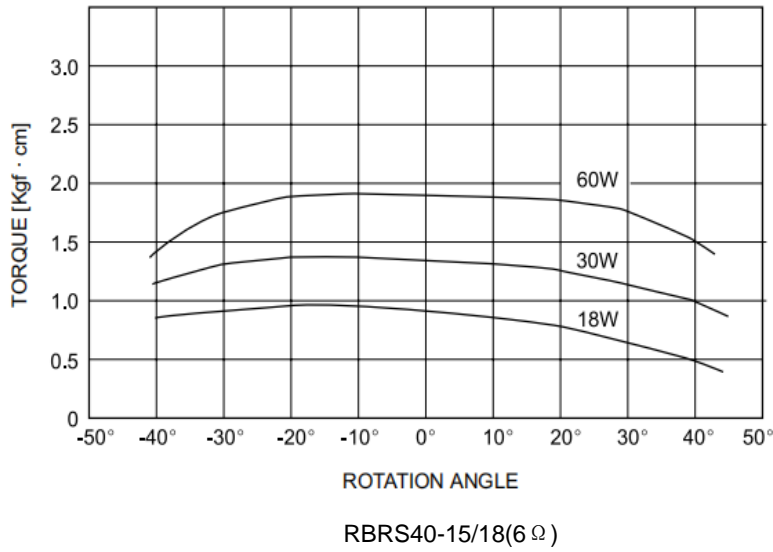
RBR40-15/15(12 Ω)



RBR40-15/13(15 Ω)



Mechanical & Electrical Co. Ltd **RBRS40 Series BISTABLE ROTATING SOLENOID**



Note: Torque values are for reference only.