

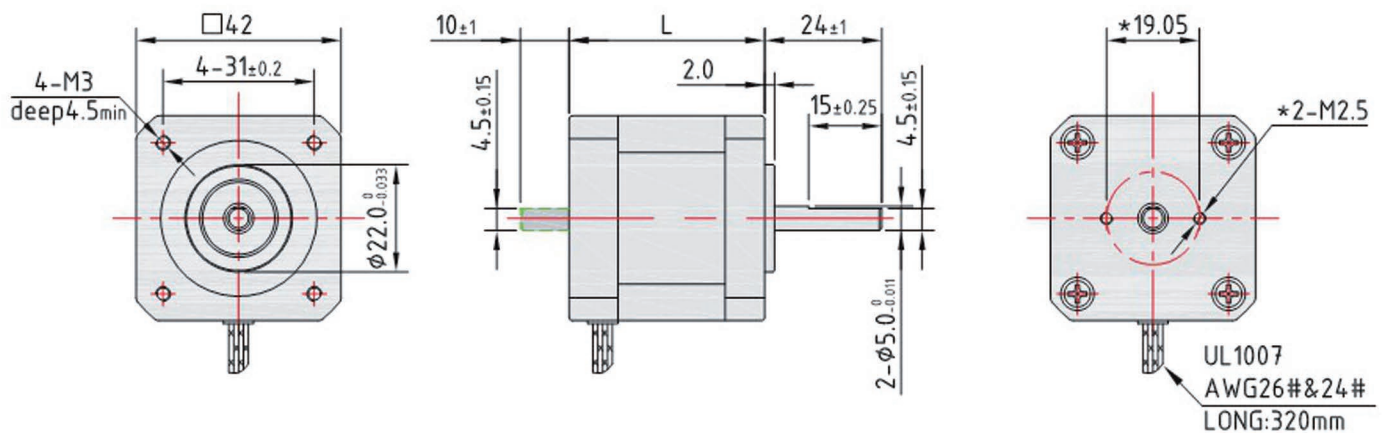
2-Phase High Precision Stepping Motor Bi-polar Type (NEMA 17 42mm · 0.9°)



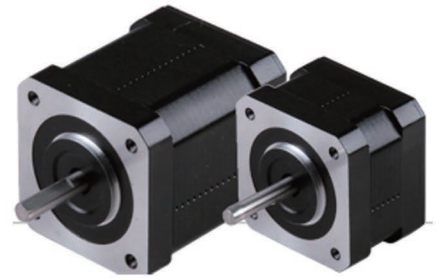
MOTOR SPECIFICATIONS

Model	Current	Resistance	Inductance	Holding torque		Inertia	Length	Weight	
	A	$\Omega \pm 10\%$	mH $\pm 20\%$	N.m	OZ.in	g/cm ²	mm Max	Kg	Lbs
SD42H431-0604	0.6	6.7	12.0	0.12	17.0	23	31	0.20	0.4
SD42H431-1204	1.2	1.8	3.1	0.12	17.0	23	31	0.20	0.4
SD42H435-0604	0.6	8.0	20.0	0.22	31.2	35	35	0.24	0.5
SD42H435-1204	1.2	2.1	5.0	0.22	31.2	35	35	0.24	0.5
SD42H441-0604	0.6	9.7	27.0	0.32	45.3	54	41	0.30	0.7
SD42H441-1204	1.2	2.5	7.0	0.32	45.3	54	41	0.30	0.7
SD42H449-0604	0.6	12.2	37.0	0.40	56.7	77	49	0.36	0.8
SD42H449-1204	1.2	3.1	10.0	0.40	56.7	77	49	0.36	0.8
SD42H449-1804	1.8	1.5	5.0	0.40	56.7	77	49	0.36	0.8
SD42H461-0604	0.6	15.4	49.1	0.68	96.3	110	61	0.50	1.1
SD42H461-1204	1.2	4.0	13.5	0.68	96.3	110	61	0.50	1.1
SD42H461-1804	1.8	2.0	6.3	0.68	96.3	110	61	0.50	1.1

DIMENSION (UNIT:MM)



2-Phase High Precision Stepping Motor Bi-polar Type (NEMA 17 42mm · 0.9°)



TORQUE-FREQUENCY CURVE

