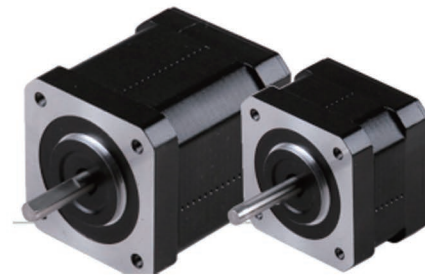


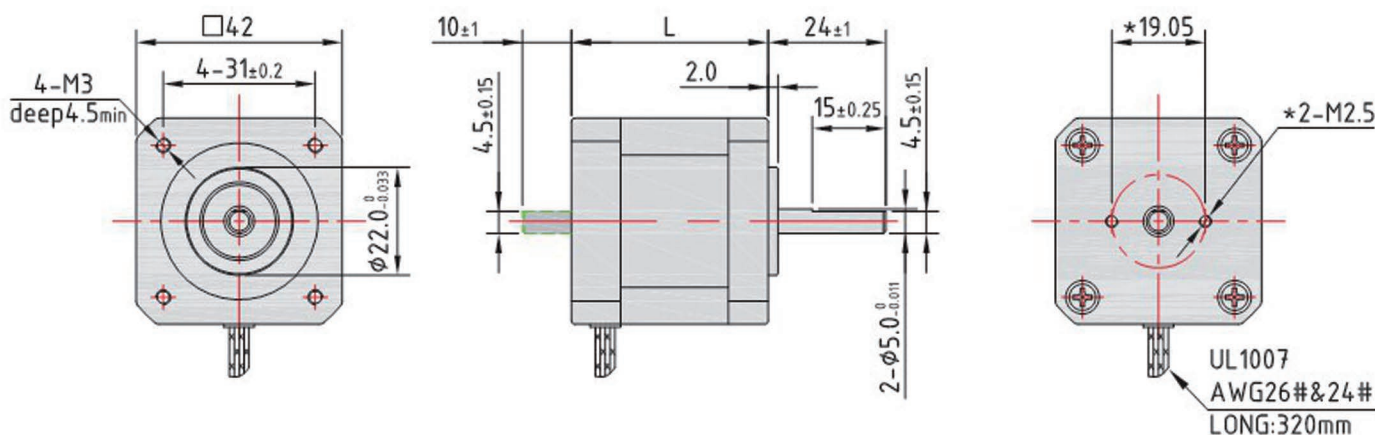
2-Phase Stepping Motor Uni-polar Type (NEMA 17 42mm · 1.8°)



MOTOR SPECIFICATIONS

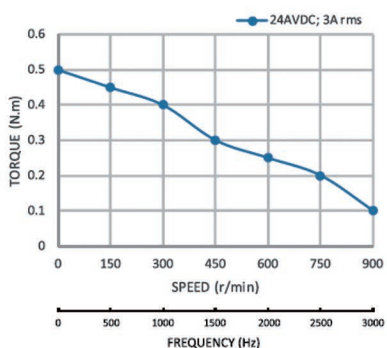
Model	Current	Resistance	Inductance	Holding torque		Inertia	Length	Weight	
	A	$\Omega \pm 10\%$	mH $\pm 20\%$	N.m	OZ.in	g/cm ²	mm Max	Kg	Lbs
SD42H235-1206	1.2	2.4	2	0.17	24.07	35	35	0.24	0.53
SD42H241-1206	1.2	3	3	0.28	39.65	54	41	0.3	0.66
SD42H249-1206	1.2	3.7	4.1	0.33	46.73	77	49	0.36	0.79

DIMENSION (UNIT:MM)

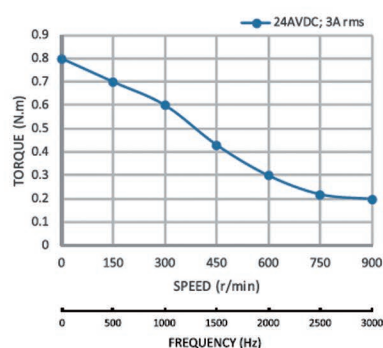


TORQUE-FREQUENCY CURVE

SD57H442-3004



SD57H455-3004



SD57H476-3004

