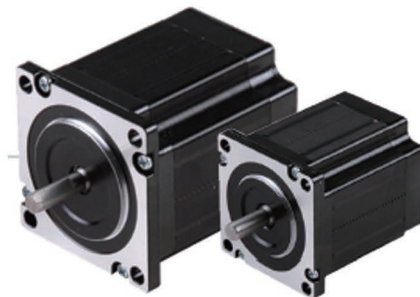


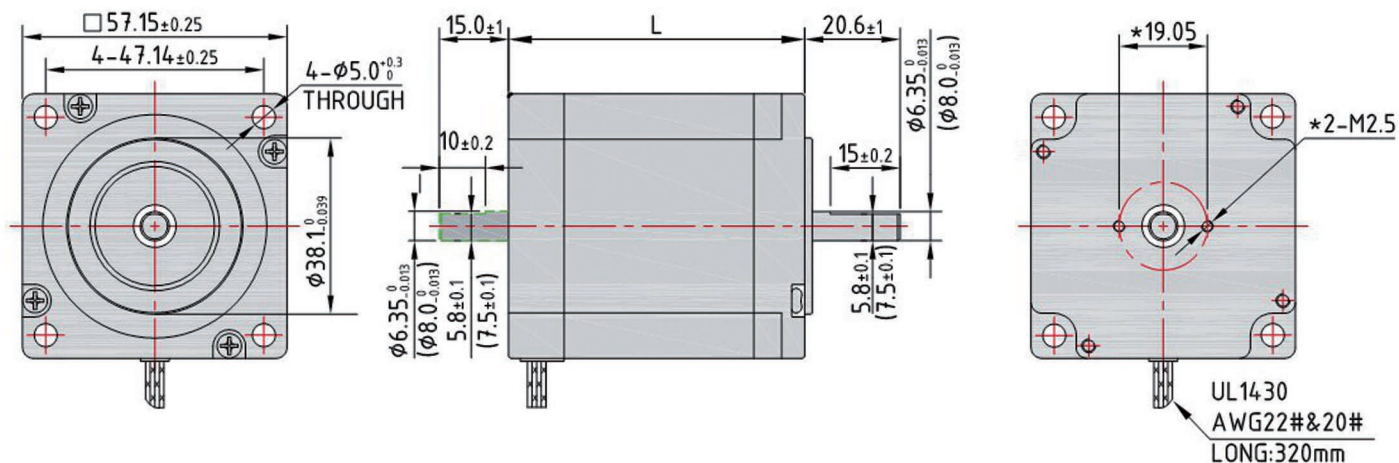
2-Phase High Precision Stepping Motor Bi-Polar Type (NEMA 23 57mm · 0.9°)



MOTOR SPECIFICATIONS

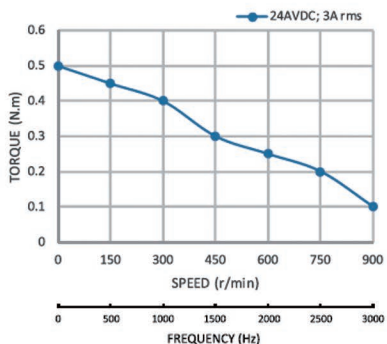
Model	Current	Resistance	Inductance	Holding torque		Inertia	Length	Weight	
	A	$\Omega \pm 10\%$	mH $\pm 20\%$	N.m	OZ.in	g/cm ²	mm Max	Kg	Lbs
SD57H442-3004	3.0	0.55	2.3	0.5	70.81	140	42.5	0.46	1.01
SD57H455-3004	3.0	0.75	3.7	0.9	127.45	280	55.5	0.72	1.59
SD57H476-3004	3.0	1.1	6.0	1.5	212.42	480	76.5	1.1	2.4

DIMENSION (UNIT:MM)

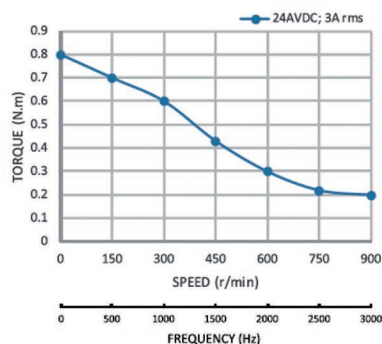


TORQUE-FREQUENCY CURVE

SD57H442-3004



SD57H455-3004



SD57H476-3004

