

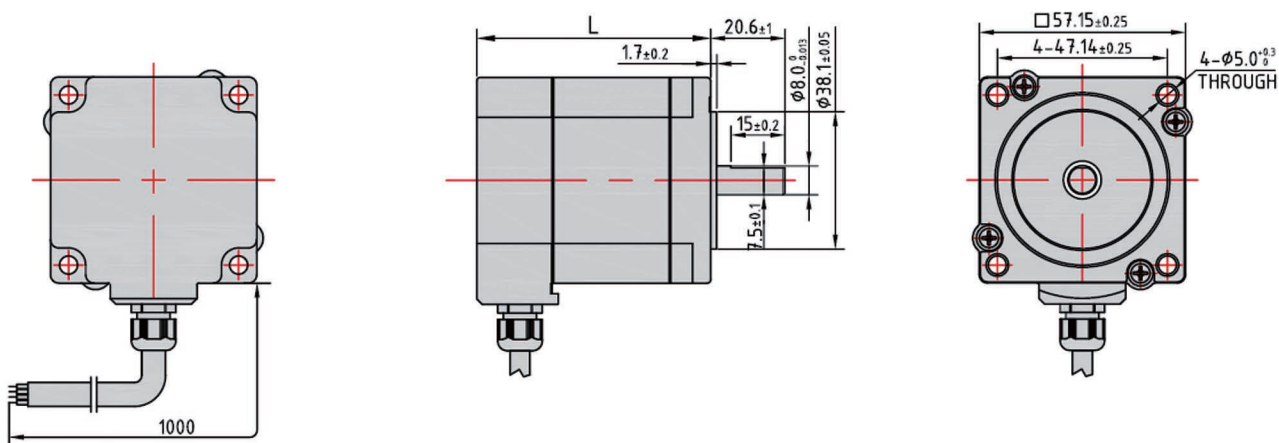
3-Phase Waterproof Stepping Motor Bi-Polar Type (NEMA 23 57mm · 1.2°) IP65



MOTOR SPECIFICATIONS

Model	Current	Resistance	Inductance	Holding torque		Inertia	Length	Weight	
	A	$\Omega \pm 10\%$	mH $\pm 20\%$	N.m	OZ.in	g/cm ²	mm Max	Kg	Lbs
SD57IP355-3504	3.5	0.77	1.8	1.0	141.6	280	65	1.5	3.3
SD57IP355-5504	5.5	0.5	1.6	1.0	141.6	280	65	1.5	3.3
SD57IP380-3504	3.5	0.86	1.2	1.8	255.0	480	90	2.5	5.5
SD57IP380-5504	5.5	0.7	2.4	1.8	255.0	480	90	2.5	5.5

DIMENSION (UNIT:MM)



TORQUE-FREQUENCY CURVE

