

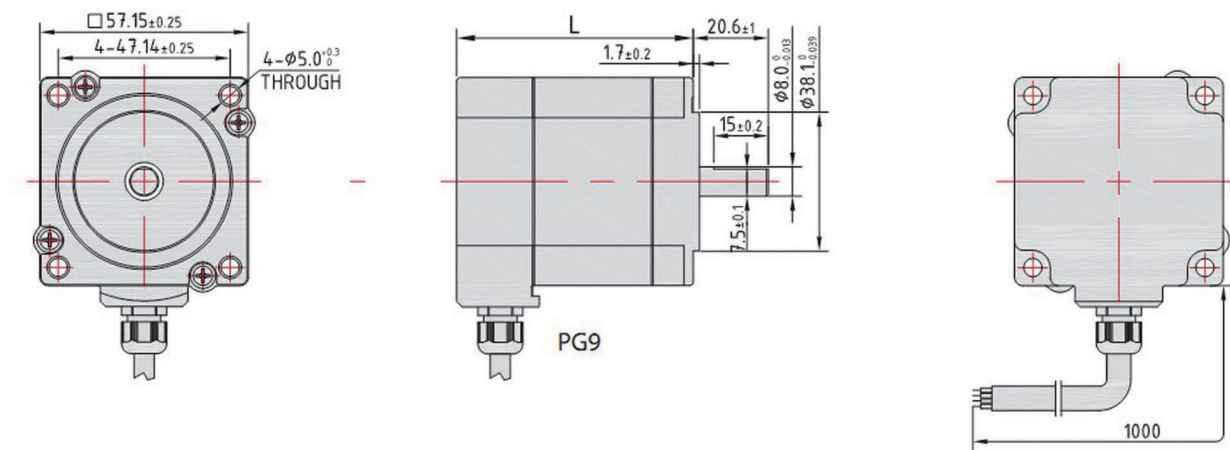
2-Phase Waterproof Stepping motor Bi-Polar Type (NEMA 23 57mm · 1.8°) IP65



MOTOR SPECIFICATIONS

Model	Current	Resistance	Inductance	Holding torque		Inertia	Length	Weight	
	A	$\Omega \pm 10\%$	mH $\pm 20\%$	N.m	OZ.in	g/cm ²	mm Max	Kg	Lbs
SD57IP270-1004	1.0	5.8	21.0	1.2	170.0	280	65	0.7	1.5
SD57IP270-2004	2.0	1.6	5.3	1.2	170.0	280	65	0.7	1.5
SD57IP270-3004	3.0	0.7	2.4	1.2	170.0	280	65	0.7	1.5
SD57IP290-2004	2.0	2.4	9.0	2.0	283.3	480	86	1.1	2.4
SD57IP290-3004	3.0	1.1	4.2	2.0	283.3	480	86	1.1	2.4
SD57IP290-4004	4.0	0.6	2.4	2.0	283.3	480	86	1.1	2.4

DIMENSION (UNIT:MM)



TORQUE-FREQUENCY CURVE

