

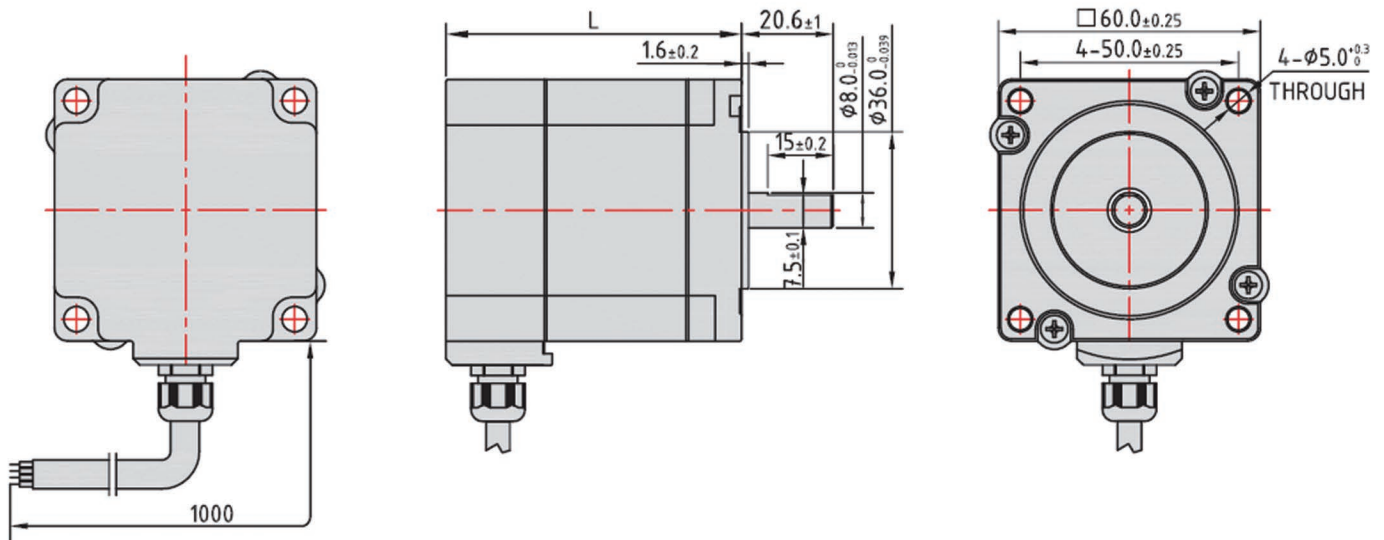
# 2-Phase Waterproof Stepping Motor Bi-polar Type ( NEMA 24 60mm - 1.8° ) IP65



## MOTOR SPECIFICATIONS

Model	Current	Resistance	Inductance	Holding torque		Inertia	Length	Weight	
	A	$\Omega \pm 10\%$	mH $\pm 20\%$	N.m	OZ.in	g/cm <sup>2</sup>	mm Max	Kg	Lbs
SD60IP256-4004	4.0	0.5	1.2	1.5	212.42	340	70	1.8	3.97
SD60IP286-5004	5.0	0.4	2.0	3.2	453.16	690	100	3.1	6.83

## DIMENSION (UNIT:MM)



## TORQUE-FREQUENCY CURVE

