

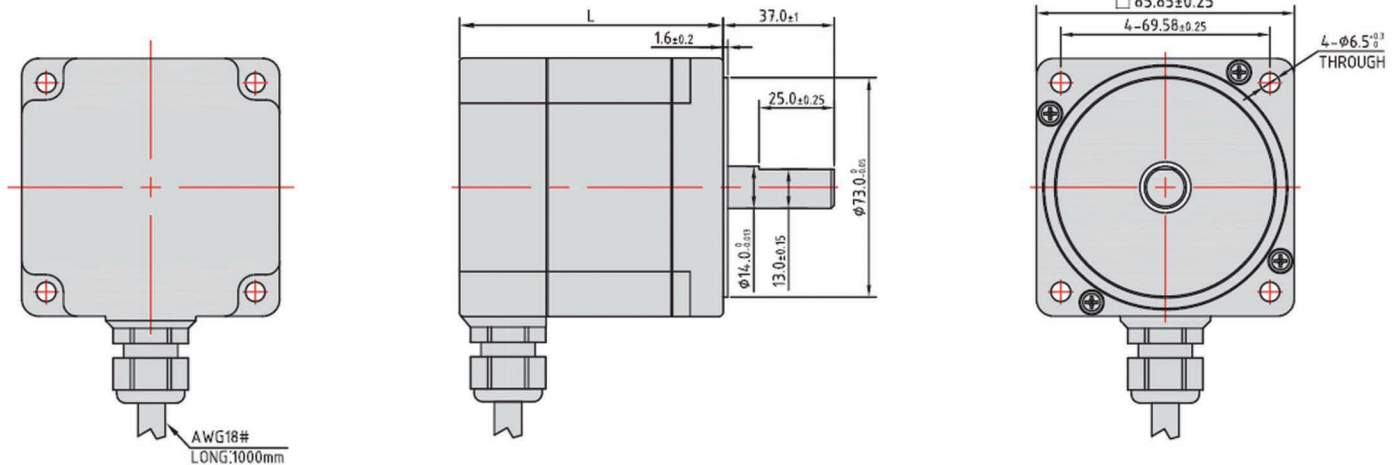
# 2-Phase Waterproof Stepping Motor Bi-Polar Type ( NEMA 34 86mm · 1.8° ) IP65



## MOTOR SPECIFICATIONS

Model	Current	Resistance	Inductance	Holding torque		Inertia	Length	Weight	
	A	$\Omega \pm 10\%$	mH $\pm 20\%$	N.m	OZ.in	kg/cm <sup>2</sup>	mm Max	Kg	Lbs
SD86IP280-6004	6.0	0.3	3.4	4.5	637	0.65	88	4.6	10.1
SD86IP2120-6004	6.0	0.5	6.5	8.5	1204	1.2	126	7.9	17.4
SD86IP2160-6004	6.0	0.7	9.2	12	1699	1.7	162	11	24.3

## DIMENSION (UNIT:MM)



## TORQUE-FREQUENCY CURVE

